

# Pacific M4

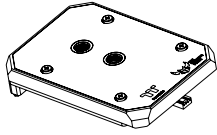
## CPU Water Block

This product is intended for installation only by expert users. Please consult with a qualified technician for installation. Improper installation may result in damage to your equipment.

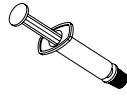
Before you start using this product please follow these basic guidelines:

1. Please carefully read through the instruction manual before beginning the installation process.
2. Please remove your graphics card from your motherboard to insure the safest process and in order to prevent any possible damages to your CPU and motherboard.
3. It is strongly recommended to use market proven pre-mix coolant, such as Thermaltake Coolant 1000.

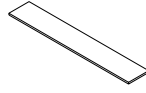
### Parts List



**A** x 1  
Water Block



**B** x 1  
Thermal compound



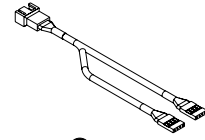
**C** x 1  
Thermal pad



**D** x 2  
Screw



**E** x 2  
Washer

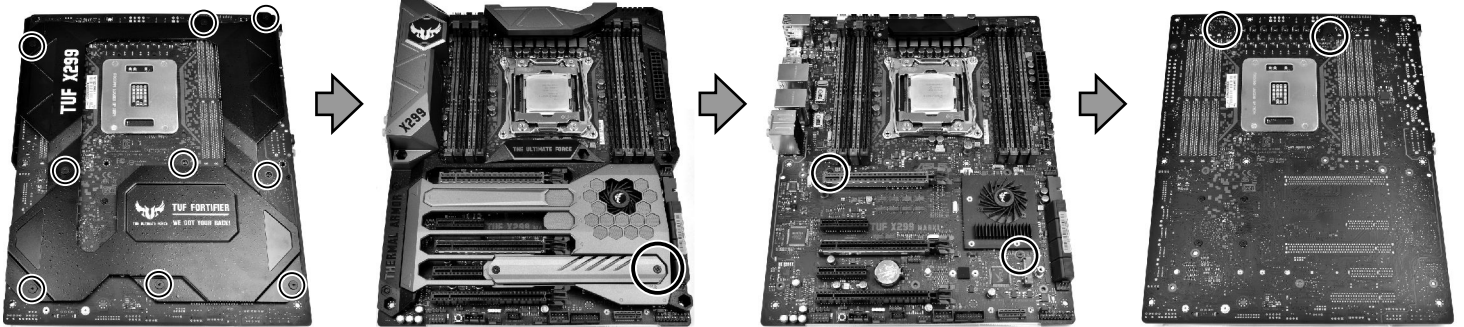


**F** x 1  
LED cable

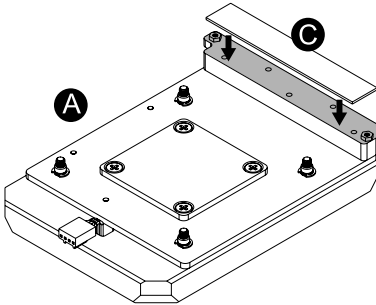


**G** x 1  
LED cable male to male connector

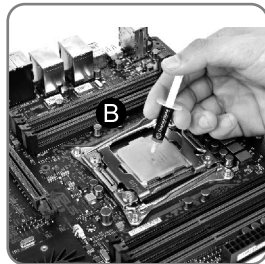
### 1 Remove Thermal Armor and backplate



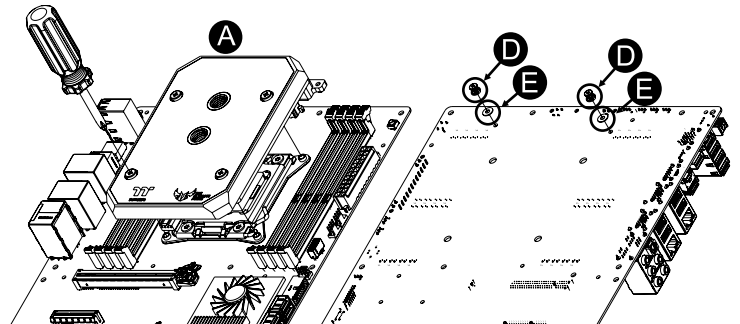
### 2 Place the thermal pad on the grey area shown on the diagram.



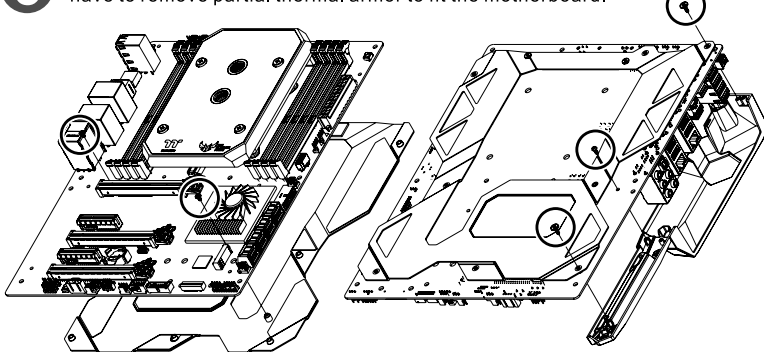
### 3 Apply thermal compound.



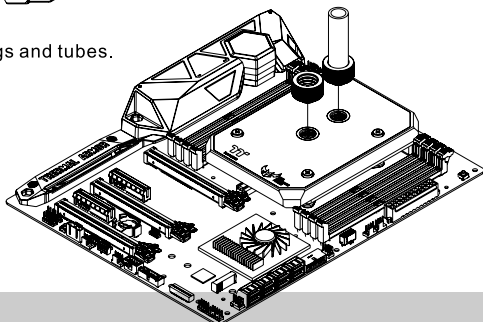
### 4 Align the water block with the CPU mounting holes on the motherboard carefully.



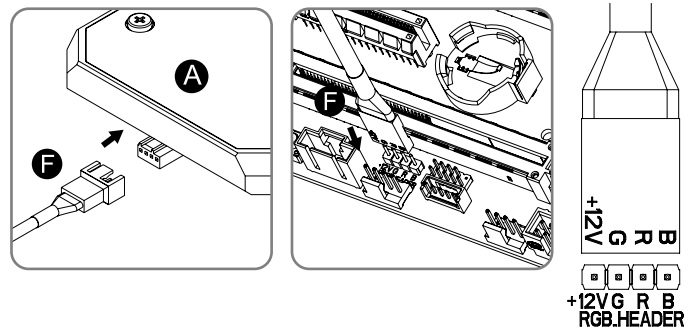
### 5 Install the back plate and the thermal armor, please note that you have to remove partial thermal armor to fit the motherboard.



### 7 Install your fittings and tubes.



### 6 Connect the LED cable (F) onto the Water block (A) and mainboard (12V LED port).



**thermaltake**