

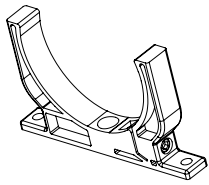
# Pacific R22 Reservoir

## Reservoir

This product is intended for installation only by expert users. Please consult with a qualified technician for installation. Improper installation may result in damage to your equipment.

1. Please carefully read the manual before beginning the installation process !
2. It is strongly recommended to use market proven pre-mix coolant, such as Thermaltake Coolant 1000.
3. DO NOT USE any kind of alcohol or alcohol derivatives with this reservoir or the acrylic tube may crack and fail ! Do not clean it using alcohol either !

## Parts List



**A x 2**  
Clip



**B x 4**  
Nuts



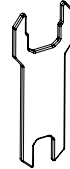
**C x 4**  
Long Screws



**D x 1**  
Wrench



**E x 3**  
G1/4 Stop Plug



**F x 1**  
Wrench

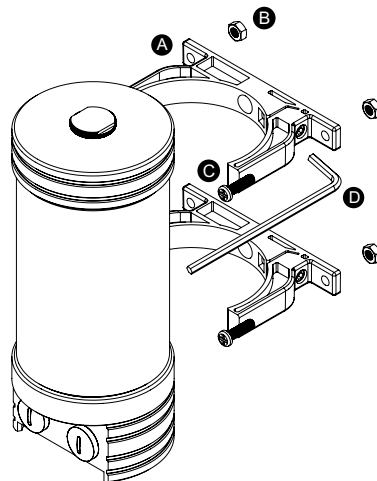


**G x 4**  
Cable Ties

## Installation Guide

**1**

This product comes with one mounting kit, please follow the installation guide to install it.



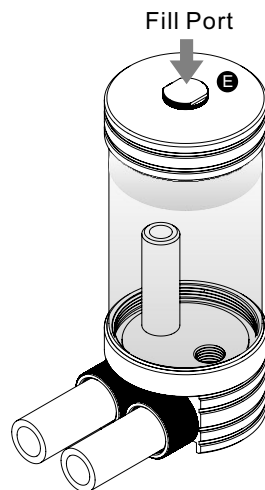
**2**

Install your fittings and tubes, remember to use the bottom as an outlet and top as an inlet.



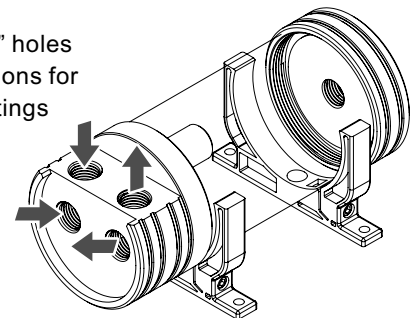
**3**

After adding the recommended coolant, remember to fill the reservoir to only 80% and leave the fill port cap off. This will help stabilize your internal loop pressure



**4**

Five predrilled G1/4" holes provide multiple options for placing the G1/4" fittings as inlet or outlet.



NOTE: The reservoir diagram is for reference only, length may differ depending on the model of reservoir