

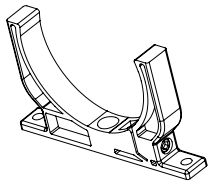
Pacific R15 Reservoir

Reservoir

This product is intended for installation only by expert users. Please consult with a qualified technician for installation. Improper installation may result in damage to your equipment.

1. Please carefully read the manual before beginning the installation process !
2. It is strongly recommended to use market proven pre-mix coolant, such as Thermaltake Coolant 1000.
3. DO NOT USE any kind of alcohol or alcohol derivatives with this reservoir or the acrylic tube may crack and fail ! Do not clean it using alcohol either !

Parts List



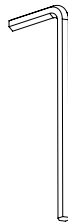
A x 2
Clip



B x 4
Nuts



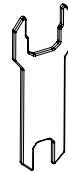
C x 4
Long Screws



D x 1
Wrench



E x 3
G1/4 Stop Plug



F x 1
Wrench

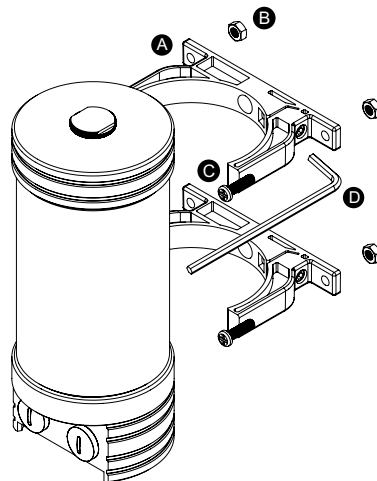


G x 4
Cable Ties

Installation Guide

1

This product comes with one mounting kit, please follow the installation guide to install it.



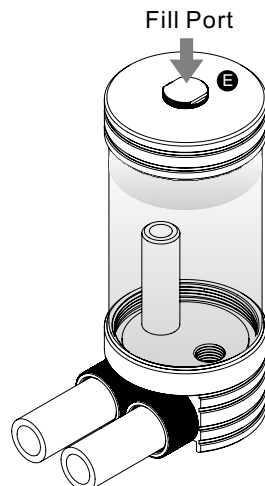
2

Install your fittings and tubes, remember to use the bottom as an outlet and top as an inlet.



3

After adding the recommended coolant, remember to fill the reservoir to only 80% and leave the fill port cap off. This will help stabilize your internal loop pressure.



4

Five predrilled G1/4" holes provide multiple options for placing the G1/4" fittings as inlet or outlet.

